

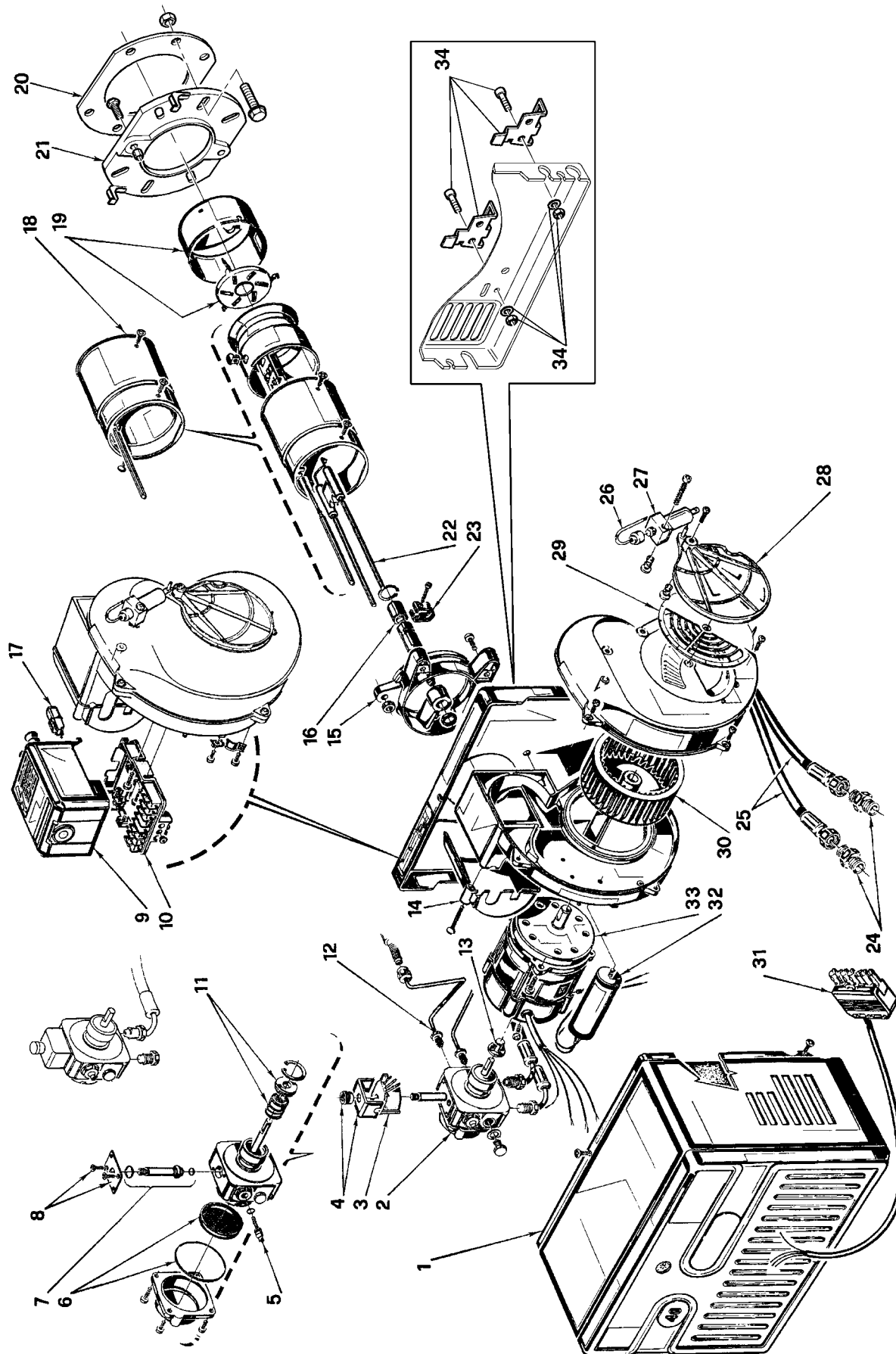
Bruciatore di gasolio • Light oil burner • Brûleur fioul • Öl-Gebläsebrenner
Quemador de gasóleo

RIELLO 40 G10

COD. **3746411 - 3746413***

TIPO / TYPE / TYP **464T1**

* END PRODUCTION 31/12/1998



2907013 (2) - 06/2007

N.	COD.	DESCRIZIONE	DESCRIPTION	DESCRIPTION	BESCHREIBUNG	DENOMINACIÓN	MATRICOLA BRUCIATORE BURNER SERIAL NUMBER MATRICULE BRULEUR BRENNER KENN-NUMMER REGISTRATIENR. BRANDER
1	3007234	COFANO	COVER	CAPOT	BRENNERHAUBE	ENVOLVENTE	
2	3007800	POMPA	PUMP	POMPE	ÖLPUMPE	BOMBA	
3	3002279	BOBINA	COIL	BOBINE V. M.	MAGNETVENTIL - SPULE	BOBINA	
4	3006553	MANTELLO E POMELLO	SHELL AND KNOB	ETRIER ET ECROU	HALTEBÜGEL MIT SCHRAUBE	PROTECCIÓN BOBINA	
5	3007202	REGOLATORE	REGULATOR	REGULATEUR PRESSION POMPE	DRUCKREGULIERSCHRAUBE	REGULADOR	
6	3008063	FILTRO - ANELLO OR	FILTER - O - RING	FILTRE - JOINT TORIQUE	FILTER - O-RING-DICHTUNG	FILTRO - JUNTA TÓRICA	
7	3006925	VALVOLA	NEEDLE VALVE	VANNE MAGNETIQUE	MAGNETVENTIL-KÖRPER	VÁLVULA	
8	3007203	PIASTRINA	PLATE	PLAQUETTE ETRIER	PLATTE	PLATINA	
9	3001156	APPARECCHIATURA 530SE*	CONTROL BOX 530SE*	BOITE DE CONTROLE 530SE*	STEUERGERÄT 530SE*	CAJA DE CONTROL 530SE*	
10	3002278	MORSETTIERA	TERMINAL BOARD	BORNIER	STECKSOCKEL	REGLETA DE CONEXIÓN	
11	3000439	ORGANO DI TENUTA	PUMP SEAL	ORGANE D'ETANCHEITE	DICHTUNGSEINSATZ ANTRIEBSWEL.	CONJUNTO ESTANQUIDAD	
12	3005789	TUBO	TUBE	TUYAU	DRUCKROHR	TUBO	
13	3000443	GIUNTO	JOINT	ACCOUPLMENT	PUMPENKUPPLUNG	ACOPLAMIENTO	
14	3006557	COPERCHIO	COVER	COUVERCLE	DÜSENSTOCK-FLANSCH	TAPA	
15	3005791	COLLARE	COLLAR	COLLIER	BRENNERFLANSCH	COLLARÍN	
16	3005764	PORTAUGELLO	NOZZLE HOLDER	PORTE-GICLEUR	DÜSENSTOCK	PORTABOQUILLA	
17	3002280	FOTORESISTENZA	P.E. CELL	CELLULE PHOTORESISTANCE	FOTOWIDERSTAND	FOTORESISTENCIA	
18	3006151	BOCCAGLIO	BLAST TUBE	GUEULARD	FLAMMROHR	TUBO LLAMA	
19	3006392	ANELLO - ELICA	END RING AND DIFFUSER DISC	EMBOUT GUEULARD - ACCR. FLAMME	FLAMMKOPF - STAUSCHEIBE	ANILLO LLAMA - DISCO ESTABILIZADOR	
20	3005795	SCHERMO	GASKET	JOINT ISOLANT	KESSELFLANSCH-DICHTUNG	JUNTA AISLANTE	
21	3005796	FLANGIA	FLANGE	BRIDE	KESSELFLANSCH	BRIDA	≤ 01267xxxxxx
21	3008637	FLANGIA	FLANGE	BRIDE	KESSELFLANSCH	BRIDA	≥ 01277xxxxxx
22	3002918	GRUPPO ELETTRODI	ELECTRODE ASSEMBLY	GROUPE ELECTRODES	ELEKTRODENBLOCK	CONJUNTO ELECTRODOS	
23	3006552	FASCETTA	ELECTRODE BRACKET	SUPPORT ELECTRODES	ELECTRODEN HALTERUNG	SOPORTE ELECTRODOS	
24	3009068	RACCORDO	CONNECTOR	MAMELON	ANSCHLUßNIPPEL	RACORD	
25	3005720	TUBO FLESSIBILE	FLEXIBLE OIL LINE	FLEXIBLE	ÖLSCHLAUCH	TUBO FLEXIBLE	
26	3007815	TUBO	TUBE	TUYAU	DRUCKROHR	TUBO	
27	3006911	MARTINETTO	HYDRAULIC JACK	VERIN AIR	LUFTKLAPPE DRUCKKOLBEN	HIDRÁULICO DE AIRE	
28	3000879	SERRANDA ARIA	AIR DAMPER	VOLET D'AIR	LUFTKLAPPE	REGISTRO DEL AIRE	
29	3007205	SERRANDA ARIA	AIR DAMPER	VOLET D'AIR	LUFTKLAPPE	REGISTRO DEL AIRE	
30	3005788	GIRANTE	FAN	TURBINE	GEBLÄSERAD	TURBINA	
31	3006386	PRESA A 7 POLI	7 POLE SOCKET	PRISE 7 POLES	7 - POLIGE STECKDOSE	CONEC. HEMBRA DE 7 CONTACTOS	
32	3005798	CONDENSATORE 4 µF	CAPACITOR 4 µF	CONDENSATEUR 4 µF	KONDENSATOR 4 µF	CONDENSADOR 4 µF	
33	3008451	MOTORE	MOTOR	MOTEUR	MOTOR	MOTOR	
34	3020406	GRUPPO MANUTENZIONE	MAINTENANCE ASSEMBLY	GROUPE ENTRETIEN	WARTUNGSSYSTEM	CONJUNTO MANTENIMIENTO	



RIELLO S.p.A.
I-37045 Legnago (VR)
Tel.: +39.0442.630111
[http:// www.rielloburners.com](http://www.rielloburners.com)