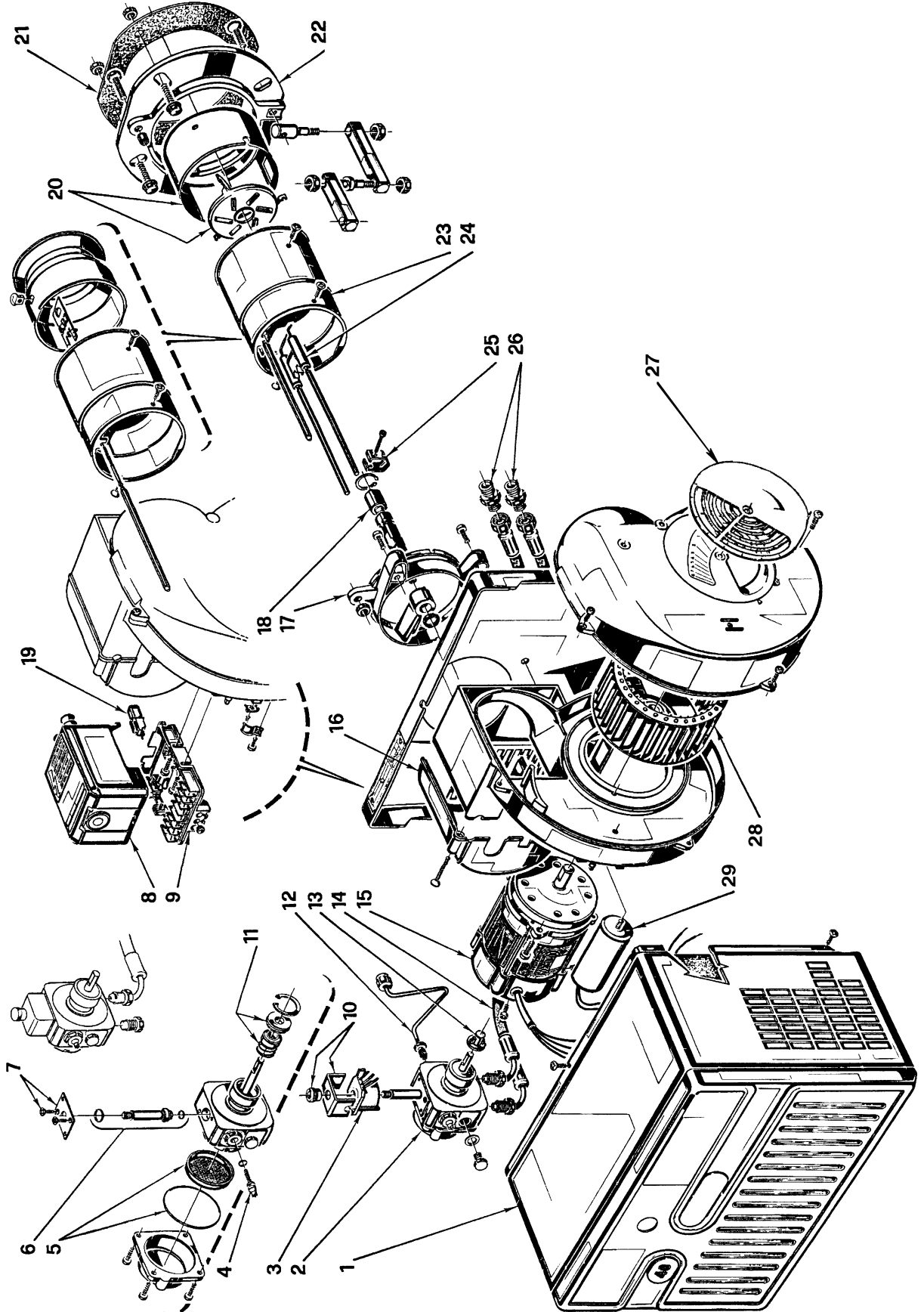


Light oil burner • 轻油燃烧器

RIELLO 40 G20 LC

CODE - 编码 **20013616**

TYPE - 类型 **474T1**



| No. | CODE - 编码 | DESCRIPTION | 描述 | BURNER SERIAL NUMBER 燃烧器序列号 | * |
|-----|-----------|----------------------------|-----------|--------------------------------|---|
| 1 | 3007235 | COVER | 机体外罩 | | |
| 2 | 3007800 | PUMP | 燃烧器油泵 | | C |
| 3 | 3002279 | COIL | 电磁线圈 | | B |
| 4 | 3007202 | REGULATOR | 油压调节阀 | | C |
| 5 | 3008653 | FILTER - O - RING | 过滤器 - O型圈 | | B |
| 6 | 3006925 | NEEDLE VALVE | 针阀 | | B |
| 7 | 3007203 | PLATE | 压板 | | |
| 8 | 3001156 | CONTROL BOX 530SE* | 控制器 | | B |
| 9 | 3002278 | TERMINAL BOARD | 控制器基座 | | |
| 10 | 3006553 | SHELL AND KNOB | 线圈衔铁和滚花螺母 | | |
| 11 | 3000439 | PUMP SEAL | 油泵密封圈 | | B |
| 12 | 3005819 | TUBE | 油管 | | |
| 13 | 3000443 | JOINT | 联轴器 | | A |
| 14 | 3005720 | FLEXIBLE OIL LINE | 弹性软油管 | | A |
| 15 | 3005820 | MOTOR | 电机 | | C |
| 16 | 3006558 | COVER | 导风罩 | | |
| 17 | 3005810 | COLLAR | 燃烧头支座 | | |
| 18 | 3005764 | NOZZLE HOLDER | 喷油嘴基座 | | |
| 19 | 3002280 | P.E. CELL | 光耦 | | A |
| 20 | 3006264 | END RING AND DIFFUSER DISC | 末端卡环及分风片 | | |
| 21 | 3005813 | GASKET | 垫片 | | A |
| 22 | 3005814 | FLANGE | 法兰 | | |
| 23 | 3006265 | BLAST TUBE | 燃烧筒 | | B |
| 24 | 3002919 | ELECTRODE ASSEMBLY | 点火电极组件 | | A |
| 25 | 3006552 | ELECTRODE BRACKET | 电极夹 | | |
| 26 | 3009068 | CONNECTOR | 管接头 | | B |
| 27 | 3007206 | AIR DAMPER | 风门挡板 | | |
| 28 | 3005799 | FAN | 燃烧器叶轮 | | C |
| 29 | 20087026 | CAPACITOR 5 µF | 5 µF 电容器 | | B |

*

ADVISED PARTS - 推荐部件

- A = Spare parts for minimum fittings - 基本备件
A+B = Spare parts for basic safety fittings - 常用安全备件
A+B+C = Spare parts for extended safety fittings - 扩充安全备件

RIELLO

Registered Office - 公司注册所在地:
RIELLO S.p.A.
I-37045 Legnago (VR)
Tel.: +39.0442.630111
http:// www.riello.it
http:// www.riello.com

Manufacturing site:
Riello Heating Equipment (Shanghai) CO., LTD
No. 388, Jinbai Road - Jinshan Industrial Zone
201506 - Shanghai
CHINA

生产场所:
Riello Heating Equipment (Shanghai) CO., LTD
利雅路热能设备(上海)有限公司
上海市金山工业区金百路 388 号